



# Hornet

## Parts Manual

---

### Model

991400 - Hornet 2352S

991402 - Hornet 1948S



## THE MANUAL

---

Before you operate your unit, carefully and completely read manuals supplied with the unit. The contents will provide you with an understanding of safety instructions and controls during normal operation and maintenance.

For your safety and the safety of others always read, understand, and follow all DANGER, WARNING, and CAUTION messages found in manuals and on safety decals.

Hardware descriptions are given in decimals.

Decimals to Fractions			
.063	1/16	.563	9/16
.125	1/8	.625	5/8
.188	3/16	.688	11/16
.250	1/4	.750	3/4
.313	5/16	.813	13/16
.375	3/8	.875	7/8
.438	7/16	.938	15/16
.500	1/2	1.00	1

## SERVICE AND REPLACEMENT PARTS

---

When ordering replacement parts or making service inquiries, know the Model and Serial numbers of your unit and engine.

Numbers are located on the product registration card in the unit literature package. They are printed on a serial number label, located on the frame of your unit.

- Record Unit Model and Serial numbers here:

- Record Engine Model and Serial numbers here:

## UNAUTHORIZED REPLACEMENT PARTS

Use only EverRide replacement parts. The replacement of any part on this vehicle with anything other than an EverRide authorized replacement part may adversely affect the performance, durability, or safety of this unit and may void the warranty. EverRide disclaims liability for any claims or damages, whether warranty, property damage, personal injury or death arising out of the use of unauthorized replacement parts.

## PRODUCT REGISTRATION

---

The EverRide dealer must register the product at the time of purchase. Registering the product will help the company process warranty claims or contact you with the latest service information. All claims meeting requirements during the limited warranty period will be honored, whether or not the product registration card is returned. Keep a proof of purchase if you do not register your unit.

**Customer Note:** If Dealer does not register your product, please fill out, sign and return the product registration card to EverRide or go to [www.everride.com](http://www.everride.com).

## YOUR SATISFACTION IS IMPORTANT

---

**Questions? Please follow these helpful steps:**

1. Refer to the manuals supplied with your unit.  
They will guide you through safe and proper operation and maintenance.  
They contain specifications on your unit.  
If your questions are not answered in these manuals, go to step number two.
2. Contact Your Dealer.  
Our dealers will be happy to supply any service or advice required to keep your unit operating at peak efficiency.  
A factory trained staff is available to support your equipment needs. They stock genuine EverRide parts and lubricants manufactured with the same precision and skill as the original.  
If your questions are not resolved by the support staff, ask for the manager or owner.  
When contacting your Dealer supply your model and serial numbers.

## TO SPEED PARTS ORDERING:

1. Know the model and serial numbers of your unit.
2. Know the part number required.
3. Know the quantity required.
4. Know the part description.

# MODELS

---

## Domestic

### Model 991400 (Hornet 2352S)

23hp Kawasaki with 52" Mower  
Serial No. 000101 and up

### Model 991402 (Hornet 1948S)

19hp Kawasaki with 48" Mower  
Serial No. 000101 and up

# TABLE OF CONTENTS

---

## DECALS

---

Decals . . . . .	4
------------------	---

## MAIN FRAME AND TRANSAXLES

---

Frame, Seat and Seat Support . . . . .	6
Hydraulics . . . . .	8

## OPERATOR CONTROLS

---

Brake Linkage . . . . .	10
Casters, Wheels and Brake . . . . .	12
Steering Controls and Clutch . . . . .	14

## FUEL TANKS AND ENGINE

---

Engine and Exhaust . . . . .	16
Fuel Tank . . . . .	17

## ELECTRICAL SYSTEM

---

Battery . . . . .	18
Electrical System . . . . .	20

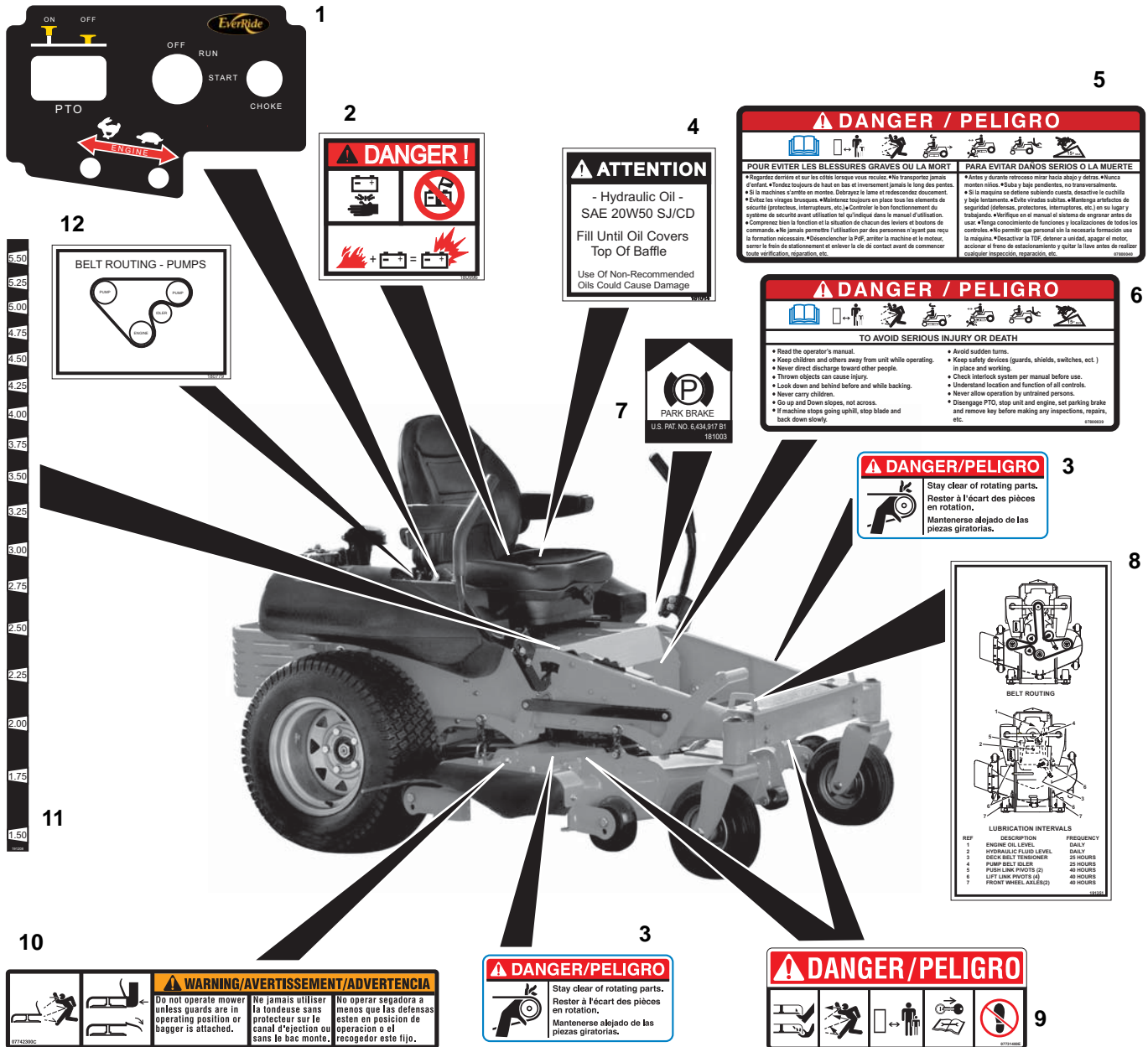
## MOWER DECKS

---

Mower Deck Lift . . . . .	22
Mower Deck, Belt, and Idlers . . . . .	24
Discharge Chute . . . . .	26

# DECALS-SAFETY

## Model 991400, 402



Item	Part No.	Qty.	Description
1	00181441	1	Decal, Control Panel
2	00180996	2	Decal, Danger - Battery
3	05236900	1	Decal, Danger Belt Rotation
4	00181254	1	Attention, Hydraulic Reservoir
5	07800040	1	Decal, Safety French/Spanish
6	07800039	1	Decal, Safety English
7	00181003	2	Decal, Park Brake
8	00191351	1	Decal, Belt RT and Lub Instruction
9	07731400	2	Decal, Mower Pan Danger
10	07742300	1	Decal, Warning
11	00191208	1	Decal, HOC Index
12	00180779	1	Decal, Pump Belts

# DECALS-STYLE

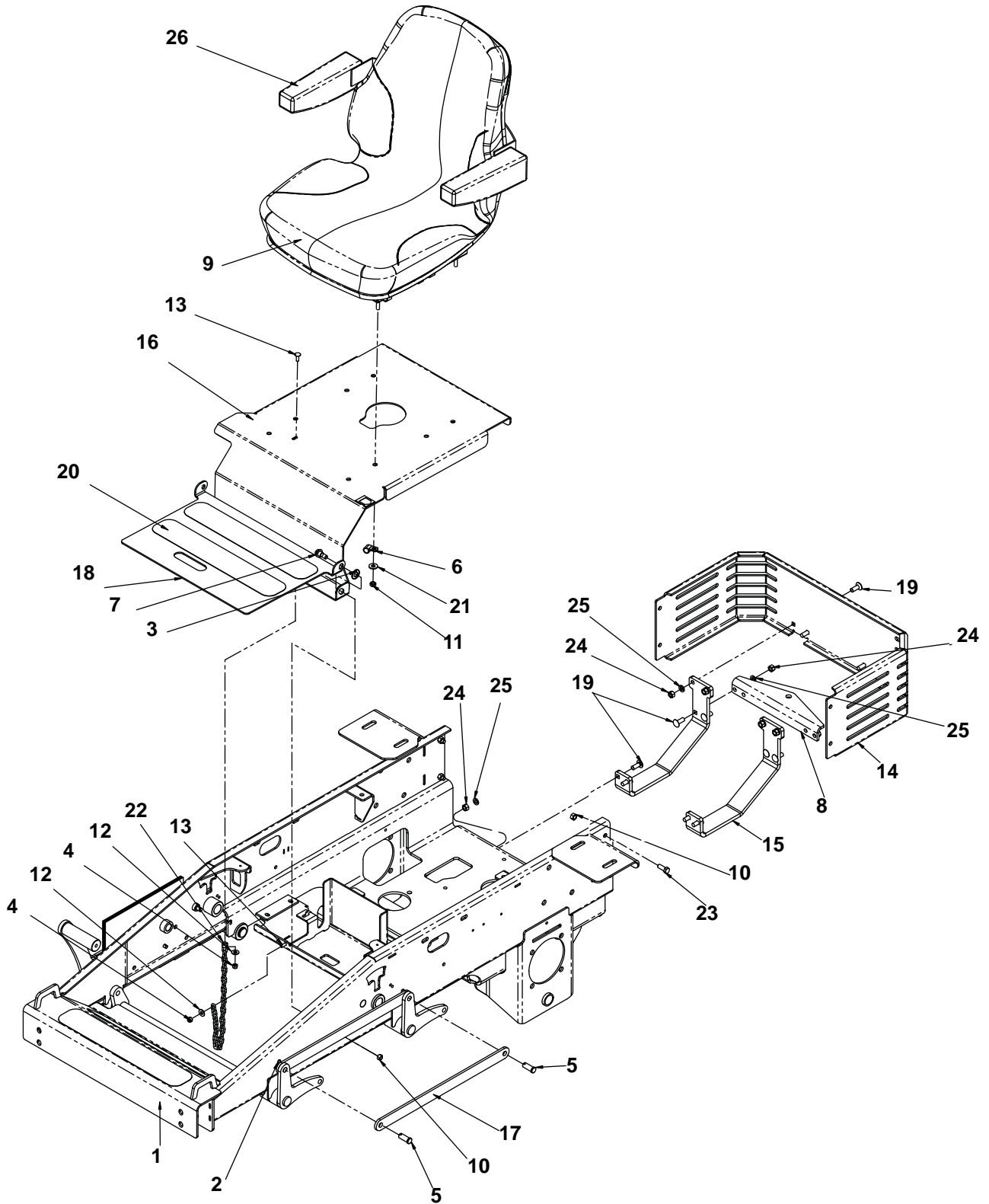
Model 991400, 402



Item	Part No.	Qty.	Description
1	00180954	1	Decal, 9" EVERRIDE Logo
2	07800106	1	Decal, Made in USA/Flag
3	00191370	1	Decal, Deck Size 52" (400)
	00191369	1	Decal, Deck Size 48" (402)
4	00181000	1	Decal, 11" EVERRIDE Logo

# FRAME, SEAT AND SEAT SUPPORT

Model 991400, 402



# FRAME, SEAT AND SEAT SUPPORT

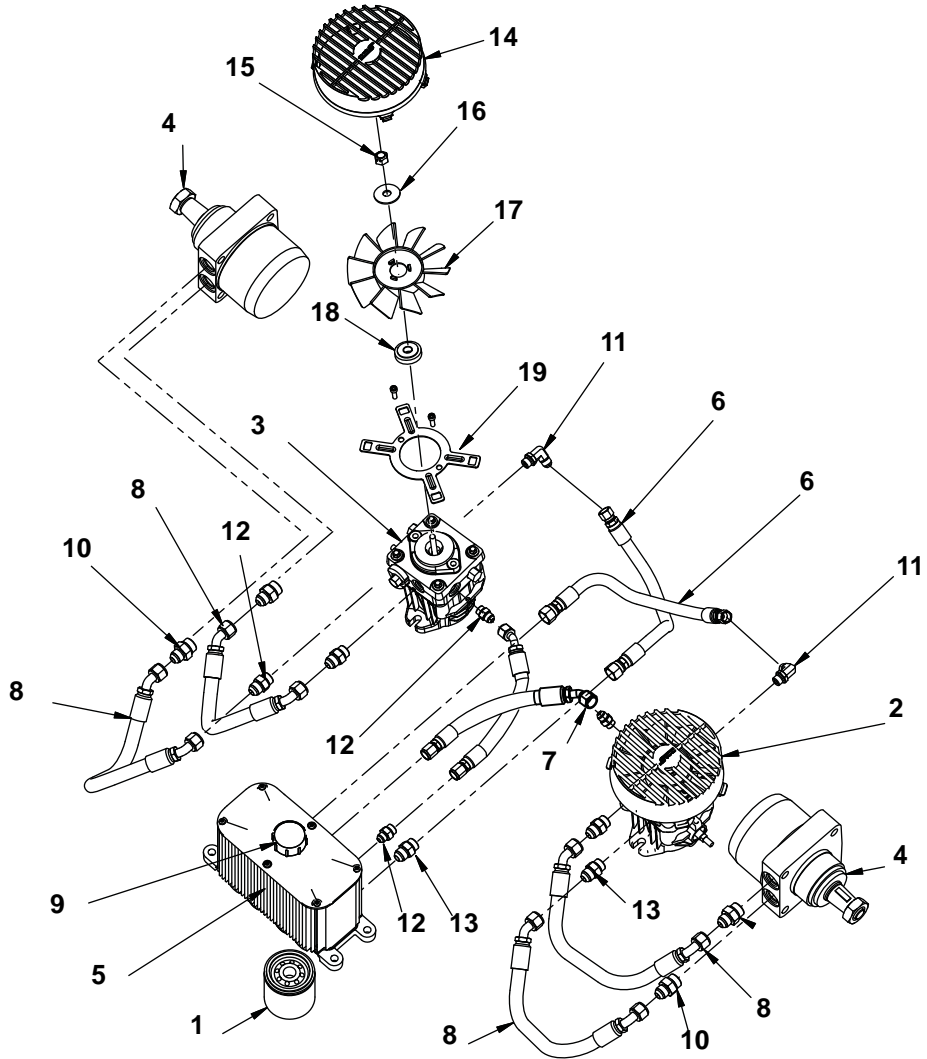
---

Model 991400, 402

Item	Part No.	Qty.	Description
1	03786061	1	Weldment, Frame
2	00967354	4	Ring, Rue .500 x .062 x 1.420
3	00967398	1	Washer, .510 x 1.00 x .068 Nylon
4	00964048	2	Locknut, 1/4-20 Nyloc
5	00110330	4	Pin, Cleavis .500 x 1.25 x 1.02
6	00111886	1	P-Clip, .500 Insulated
7	00135139	1	Bolt, 1/2 x 1.00 x 3/8-16 SLD 5
8	03817261	1	Plate, Hitch
9	00180916	1	Seat, Suspension - Light Grey
10	00964022	5	Locknut, 3/8-16 Crown
11	00964021	4	Locknut, 5/16-18 Crown
12	AA960700	2	Washer, .250 Reg. Flat
13	00963095	2	Bolt, 1/4-20 x .750 Grade 5
14	03786761	1	Plate, Rear Guard
15	03786261	2	Brace. Bent Arm Hitch
16	03786700	1	Plate, Seat w/Decals
17	00191142	4	Plate, Arm Connector Link
18	03786461	1	Plate, Floor Pan
19	00963019	12	Bolt, 3/8-16 x 1.00 Grade 5
20	00191257	4	Tape, Traction 3.00 x 17.00
21	00960701	4	Washer, .313 Reg. Flat
22	00191487	1	Chain, .148 x 28 Links
23	00960046	4	Bolt, 3/8-16 x 1.00 Hex 5
24	00960502	12	Nut, 3/8-16 STD Hex Grade 5
25	00960602	12	Washer, .375 Med. Spring Lock
26	59204500	2	Kit, Arm Rest

# HYDRAULICS

Model 991400, 402





# HYDRAULICS

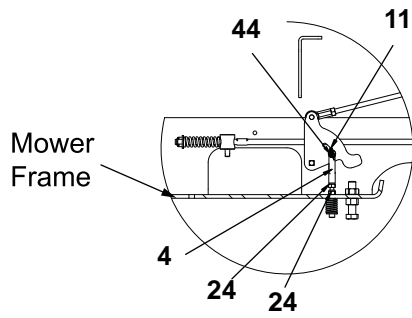
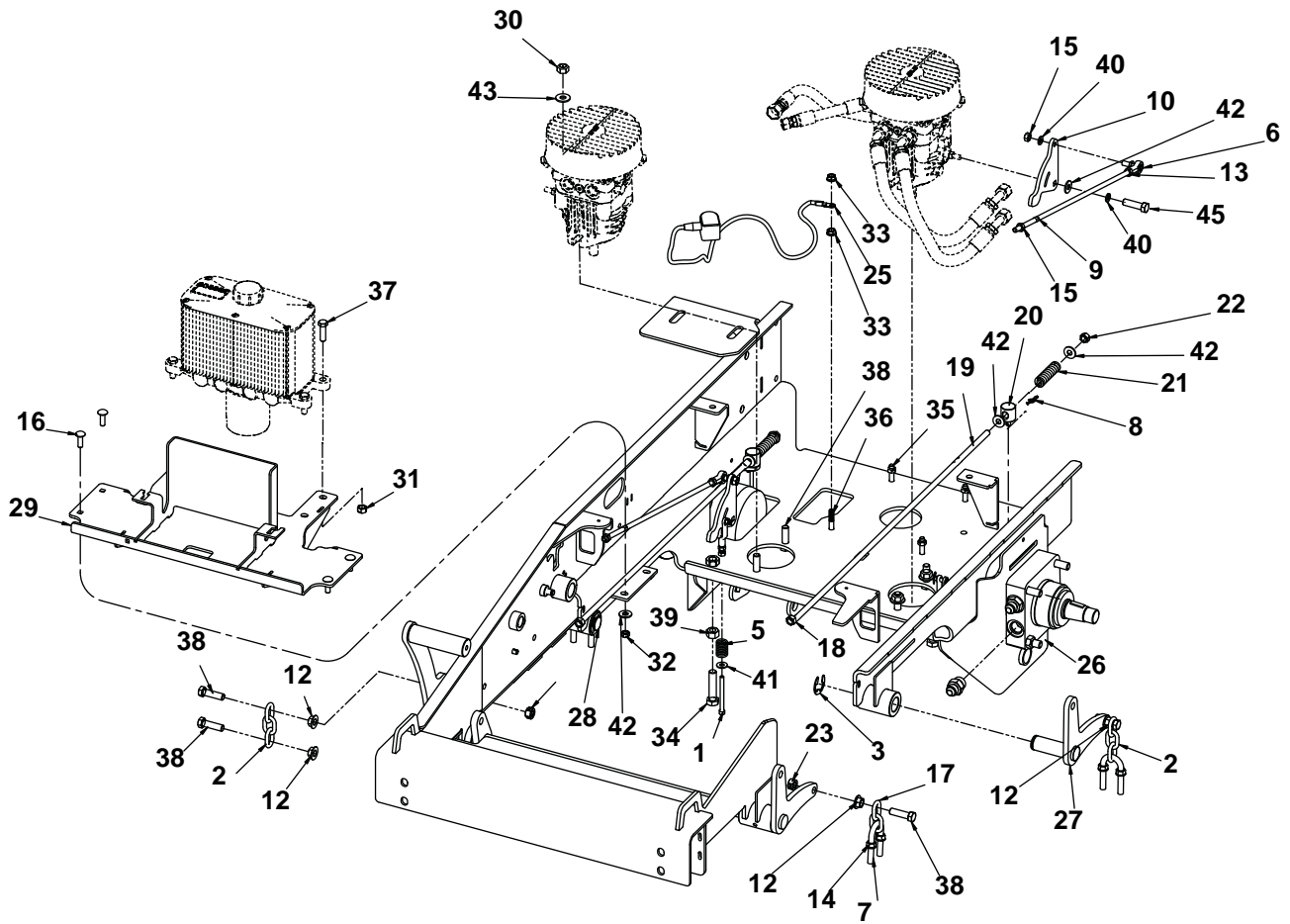
---

Model 991400, 402

Item	Part No.	Qty.	Description
1	00180909	1	Filter, 25 MICRON
2	00261600	1	Pump, Hydro-Gear Left Hand
3	00273900	1	Pump, Hydro-Gear Right Hand
4	00191103	2	Wheel Motor, Parker TL195
5	00191157	1	Tank, Hydraulic
6	00191204	2	Hose, Hydraulic 3/8 9/16 & 3/4FJICSW
7	00191205	2	Hose, Hydraulic 3/8 9/16JICFESW
8	00191206	4	Hose, Hydraulic 1/2 3/4FJICSW45°
9	00191600	1	Cap, Hydraulic
10	00231104	4	Adapter, 7/8MOR X 3/4MJIC
11	313270	2	Fitting, 90 9/16 MOR X 9/16 MJIC
12	00221285	2	Fitting, ADP 9/16-18MORX9/16MJIC
13	00313391	2	Adapter, 3/4-16MORX 3/4-16JIC
14	00191620	2	Shroud, PUMP
15	964066	2	Locknut, 3/8-24 CROWN
16	00180995	2	Washer, .375 X 1.24 X .072 BLVL
17	00191621	2	Fan,Pump
18	00180994	2	Hub, Fan
19	00191622	2	Plate, Shroud Mount
20	191618	2	Seal Kit, Hydro-Gear Pump
21	191619	2	Seal Kit, Parker Wheel Motor

# BRAKE LINKAGE

Model 991400, 402



Steering Return To Neutral

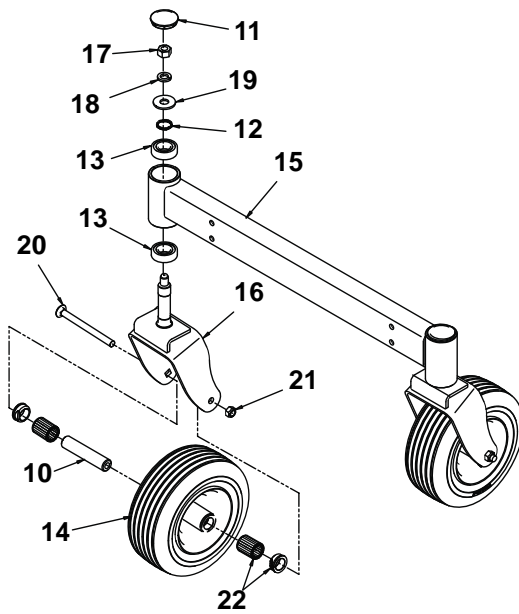
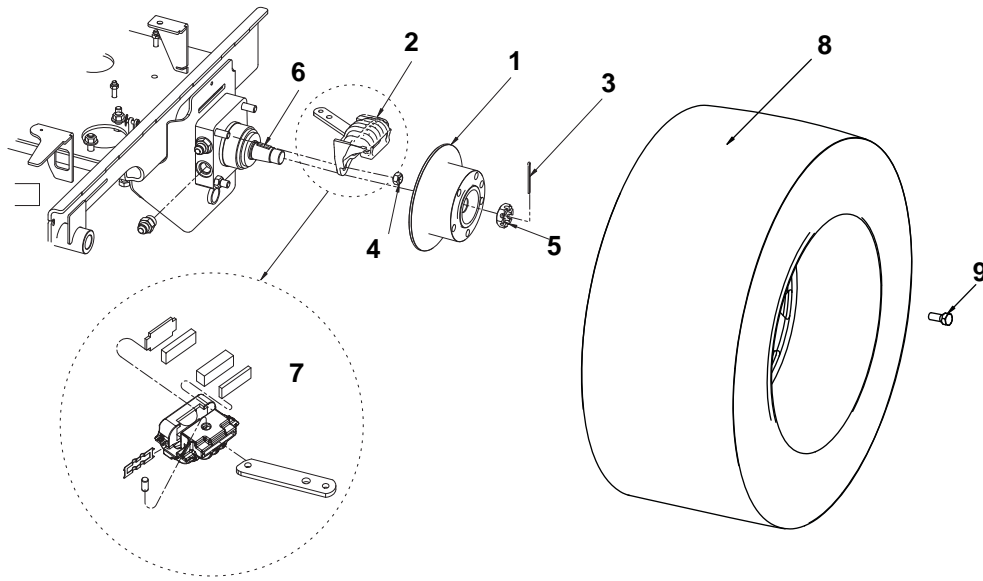
# BRAKE LINKAGE

Model 991400, 402

Item	Part No.	Qty.	Description
1	00967393	2	Bolt, 1/4-20 x 2.75 SOC 8
2	00150109	3	Chain - 3 Links
3	00180922	2	E-Ring, 1.00 x .050
4	00180956	2	Yoke, 1/4-20 RH Adjustable
5	00180957	2	Spring, Compression .784 x .092 x 1.50
6	00180982	2	Ball Joint, LH 5/16 FMAL W/STD
7	00181017	3	U-Bolt, RD 1.00 x 2.50 x 3/8-16
8	00967353	2	Ring, Rue .375 x .054 x 1.254
9	00191080	2	Rod, Pump Control
10	00255500	2	Plate, Pump Control Arm
11	00967350	2	Ring, Rue .250 x .041 x .844
12	00967342	5	Locknut, 7/16-14 Whiz
13	00967338	2	Nut, 5/16-24 Hex Grade 5 LH
14	00964016	6	Locknut, 3/8-16 Whiz
15	00964003	4	Nut, 5/16-24 STD Hex Grade 5
16	00963074	4	Bolt, 5/16-18 x 1.00 CRG 2
17	00191129	1	Chain, 2 Links 1/4"
18	00967054	2	Nut, 3/8-24 STD Hex Grade 5
19	00191175	2	Rod, Brake
20	00191176	2	Pin, Brake Linkage
21	00191177	2	Spring, Compression .710 x .142 x 2.50
22	00964066	2	Locknut, 3/8-24 Crown
23	00964061	4	Locknut, 7/16-14 Center
24	00964048	4	Locknut, 1/4-20 Nyloc
25	00191227	1	Cable, Battery - 35" Ground
26	00191509	2	Weldment, Wheel Motor Plate
27	03890161	1	Weldment, LH Front Deck Lift
28	03891261	1	Weldment, RH Front Deck Lift
29	03785761	1	Weldment, Battery/Tank Plate
30	00964025	4	Locknut, 7/16-14 Crown
31	00964022	4	Locknut, 3/8-16 Crown
32	00964021	7	Locknut, 5/16-18 Crown
33	00964019	2	Locknut, 5/16-18 Whiz
34	00473450	2	Bolt, 1/2-13 x 2 3/4 Grade 2
35	00960025	3	Bolt, 5/16-18 x 1.50 Hex Grade 5
36	00960026	1	Bolt, 5/16-18 x 1.75 Hex Grade 5
37	00960047	4	Bolt, 3/8-16 x 1.25 Hex Grade 5
38	00960081	9	Bolt, 7/16-14 x 1.50 Hex Grade 5
39	00960504	2	Nut, 1/2-13 STD Hex Grade 5
40	AA960601	4	Washer, .313 Med Spring Lock
41	AA960700	2	Washer, .250 Reg Flat
42	00960701	10	Washer, .313 Reg Flat
43	00960702	4	Washer, .375 Reg Flat
44	AA962200	2	Pin, CVS .250 x 1.00 x .859
45	00961284	2	Bolt, M8 x 1.25 x 20 He 8.8"

# CASTERS, WHEELS AND BRAKE

Model 991400, 402



# CASTERS, WHEELS AND BRAKE

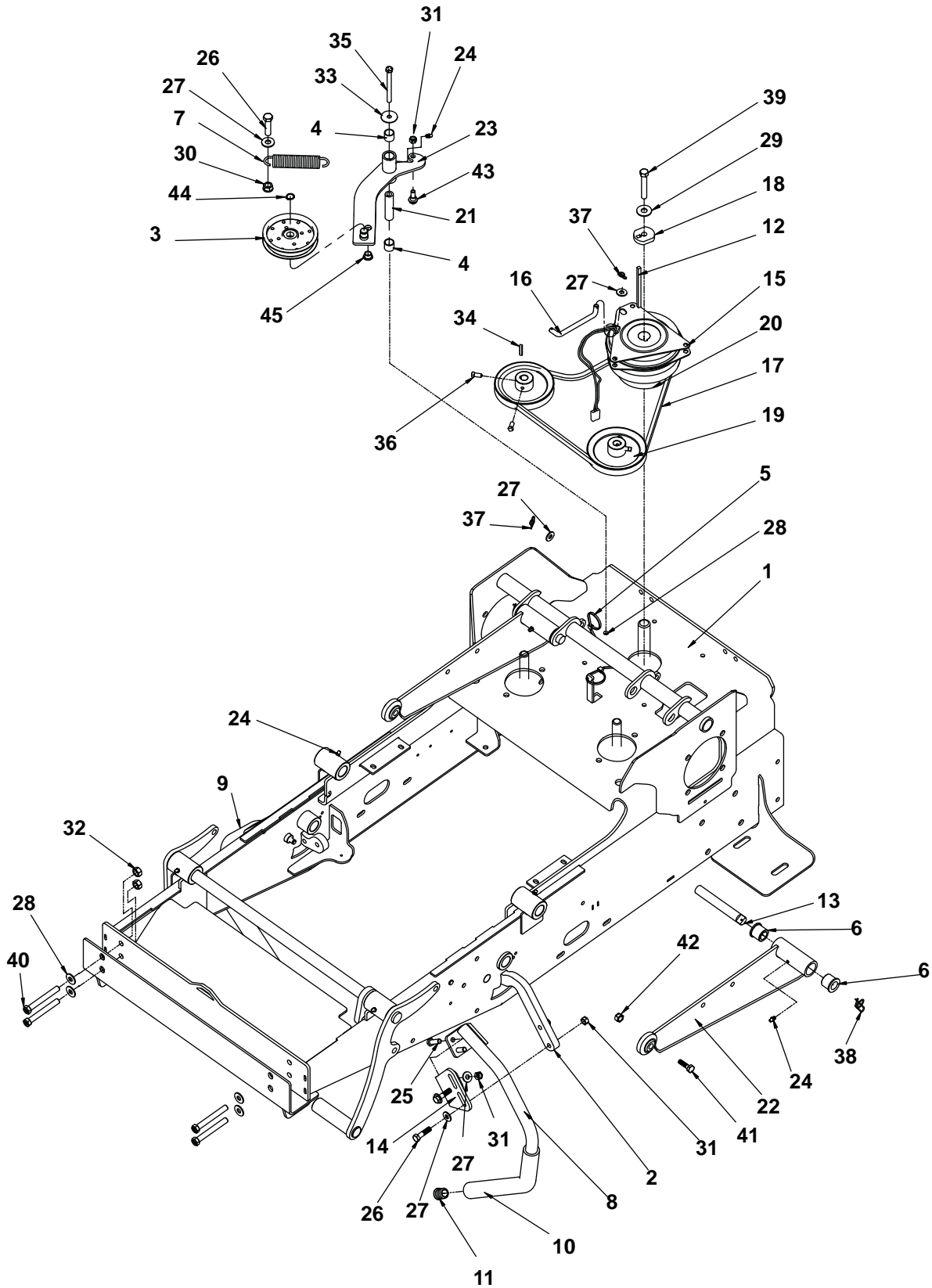
---

Model 991400, 402

Item	Part No.	Qty.	Description
1	00191110	2	Wheel Hub, 8" Disc 5 Bolt
2	00191111	1	Assembly, M15 Brake & Bracket CCW - LH
	00191112	1	Assembly, M15 Brake & Bracket CW - RH
3	00962020	2	Pin, Cotter .125 X 1.75 EXTP
4	AA964000	8	Locknut, 1/2-13 Crown
5	191625	2	Nut, Hub Retaining
6	00191603	2	Key, Woodwuff .312X1.00-#502 HRD
7	00191606	2	Kit, 3/16 Disc Brake Pad S/O
8	00191228	2	Assembly, Tire & Rim - 23X10.50-12
	00191229	2	Tire S/O
	00191721	2	Rim S/O
9	00967133	10	Bolt, 1/2-20 x 1.00 Lug
10	00191049	2	Tube, RD 1.00 x .500 x 4.76
11	00191052	2	Cap, Dust 2.04
12	AA191100	2	Washer, Wave 1.0 Shaft 1.25 Bore
13	00149230	4	Bearing, Ball .984 x 2.05 x .591 - 6205
14	00200778	2	Assembly, Tire & Rim 11 x 4-5 W/R BRG
15	03785561	1	Weldment, Front Axle
16	03785661	2	Weldment, Front Wheel Fork
17	00960505	2	Nut, 5/8-11 STD Hex Grade 5
18	00960605	2	Washer, .625 Medium Spring Lock
19	00960705	2	Washer, .625 Reg Flat
20	00963011	2	Bolt, 1/2-13 x 6.00 CRG
21	AA964000	2	Locknut, 1/2-13 Crown
22	00191604	1	Kit, 1.00 x 4.75 Hub Bearing

# STEERING CONTROLS AND CLUTCH

Model 991400, 402



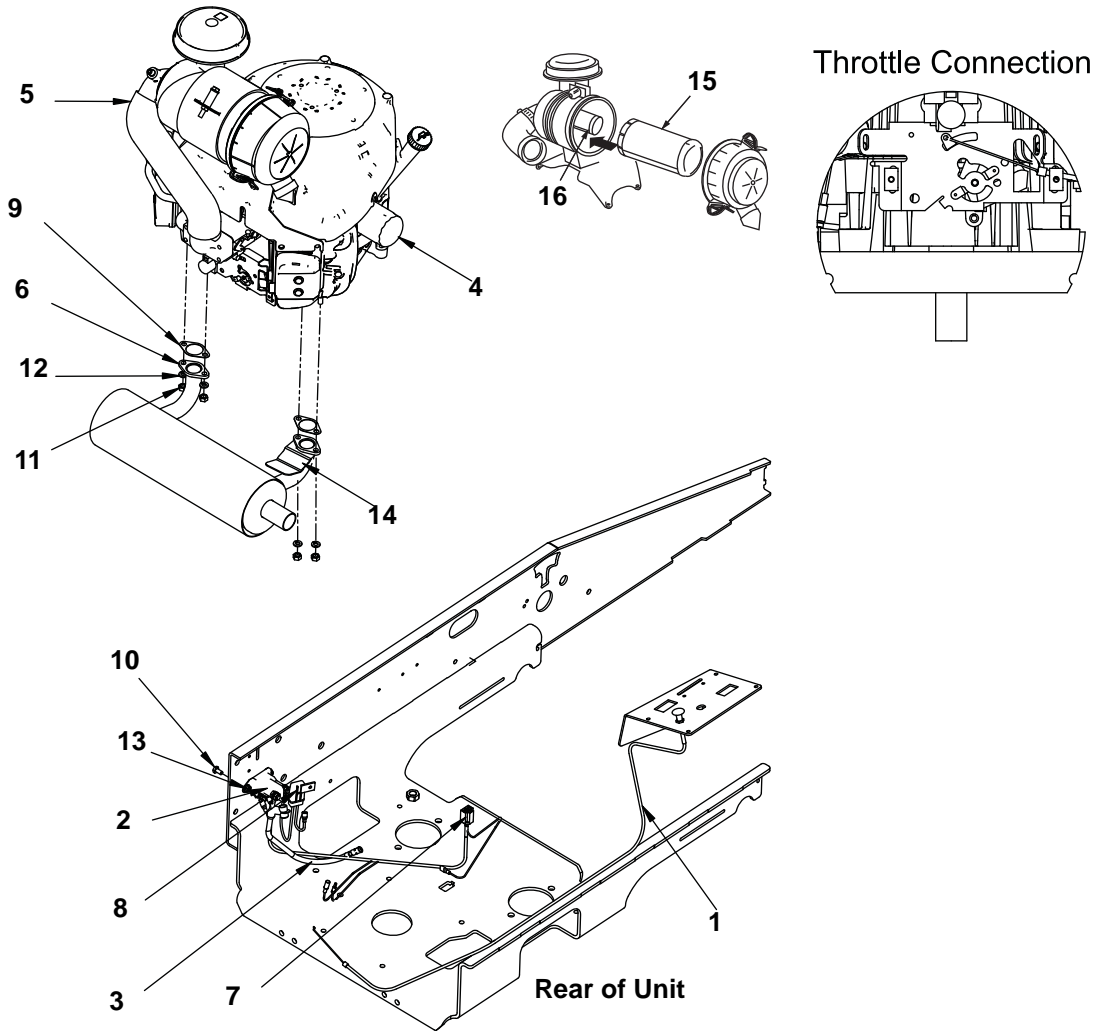
# STEERING CONTROLS

Model 991400, 402

Item	Part No.	Qty.	Description
1	03786061	1	Weldment, Frame and Deck Lift
2	00191082	2	Plate, Steering Control
3	00180927	1	Pulley, Flat 4.00 x .670 w/Bearing
4	00105546	2	Bearing, Sleeve .753 x .878 x .750
5	00111910	2	Cable Tie, .15 x 8.50
6	00150079	4	Bearing, Flange .750 x 1.13 x 1.00
7	00110580	1	Spring, Extension .875 x .125 x 4.25
8	00181348	1	Weldment, LH Steering Handle
9	00181347	1	Weldment, RH Steering Handle
10	00180617	2	Grip, Foam
11	00180639	2	Plug, 7/8" End
12	180962	1	Key, .250 x .250 x 4.62 Square
13	00191048	2	Pin, MFG .625 x 5.38 x 4.88 x DRL
14	00191083	2	Plate, Steering Control Bent
15	00191109	1	Clutch, Electric - OGURA, GT2.5
16	00191166	1	Rod, Clutch Antirotation
17	00192111	1	Belt, A46K ARAMID CORD
18	00191203	1	Washer, Clutch Universal w/Key
19	00191265	2	Pulley, V-Belt 5.00 x .591 w/Key
20	00191268	1	Pulley, V-Belt 4.50 x 1.00 w/Key
21	00191347	1	Tube, Ø.750 x Ø.438 x 3.047
22	00191577	2	Weldment, Deck Push Link
23	00191534	1	Weldment, Pump Belt Tensioner
24	00959995	7	Fitting, 1/4-28 Straight Grease Zerk
25	00960047	4	Bolt, 3/8-16 X 1.25 Hex Grade 5
26	00960048	7	Bolt, 3/8-16 X 1.50 Hex Grade 5
27	00960701	11	Washer, .313 Reg Flat
28	00960702	5	Washer, .375 Reg Flat
29	AA960703	1	Washer, .438 Reg Flat
30	00964016	2	Locknut, 3/8-16 Whiz
31	00964022	12	Locknut, 3/8-16 Crown
32	00964025	4	Locknut, 7/16-14 Crown
33	00964502	1	Washer, .375 X 1.50 X .063 Flat
34	00966058	2	Key, M5 X M5 X M30 RD
35	00960058	1	Bolt, 3/8-16 X 4.00 Hex Grade 5
36	00967343	4	Set Screw, 5/16-18 X .625 Square Cup
37	00967353	2	Ring, Rue .375 x .054 x 1.254
38	00967357	2	Ring, Rue .750 x .080 x 2.081
39	00967394	1	Bolt, 7/16-20 X 2.75 Hex Grade 5
40	00967399	4	Bolt, 7/16-14 X 3.5 Hex Grade 5
41	00960117	2	Bolt, 1/2-13 X 2.25 Hex Grade 5
42	AA964000	2	Locknut, 1/2-13 Crown
43	00135139	1	Bolt, 1/2 X 1.06 X 3/8-16 X .421
44	967019	1	Snap Ring
45	00180354	1	Bearing, Flange .502 X .629 X .421

# ENGINE AND EXHAUST

Model 991400, 402

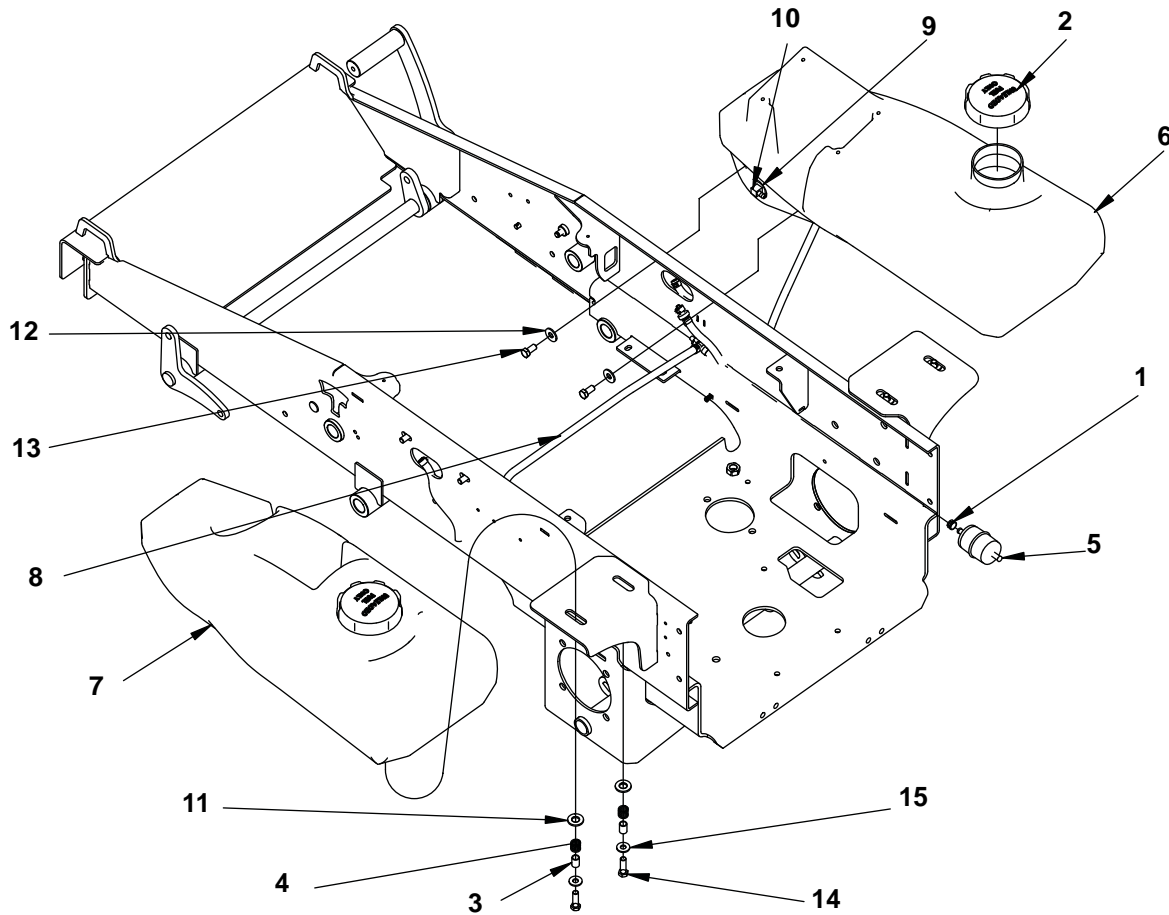


Item	Part No.	Qty.	Description
1	00180273	1	Cable, Choke 48"
2	03551000	1	Solenoid, 12 V Starter
3	00180842	1	Cable, 12' Starter
4	00181073	1	Oil Filter
5	00200675	1	Engine, Kawasaki 19 HP (402)
	00191123	1	Engine, Kawasaki 23 HP (400)
6	00191125	1	Muffler, Kawasaki ONLY FH-HORI (400)
	00278200	1	Muffler, Kawasaki ONLY FH-HORI (402)
7	00288200	1	Adapter Harness, Kawasaki
8	00191260	1	Adapter Harness, Kawasaki, Fuse
9	00191601	2	Kit, Muffler Gasket (Includes items 9, 11 and 12)
10	AA960000	2	Bolt, 1/4-20 x .500 Hex 5
11	00961553	2	Nut, M8 x 1.25 Hex GR8.8
12	00961603	2	Washer, M8 Spring Lock
13	00964040	2	Locknut, 1/4-20 Whiz
14	00191365	1	Shield, Exhaust
15	00181071	1	Filter, Primary Air (400)
	00186700	1	Filter, Air (402)
16	00181072	1	Filter, Secondary Air (400)



# FUEL TANK

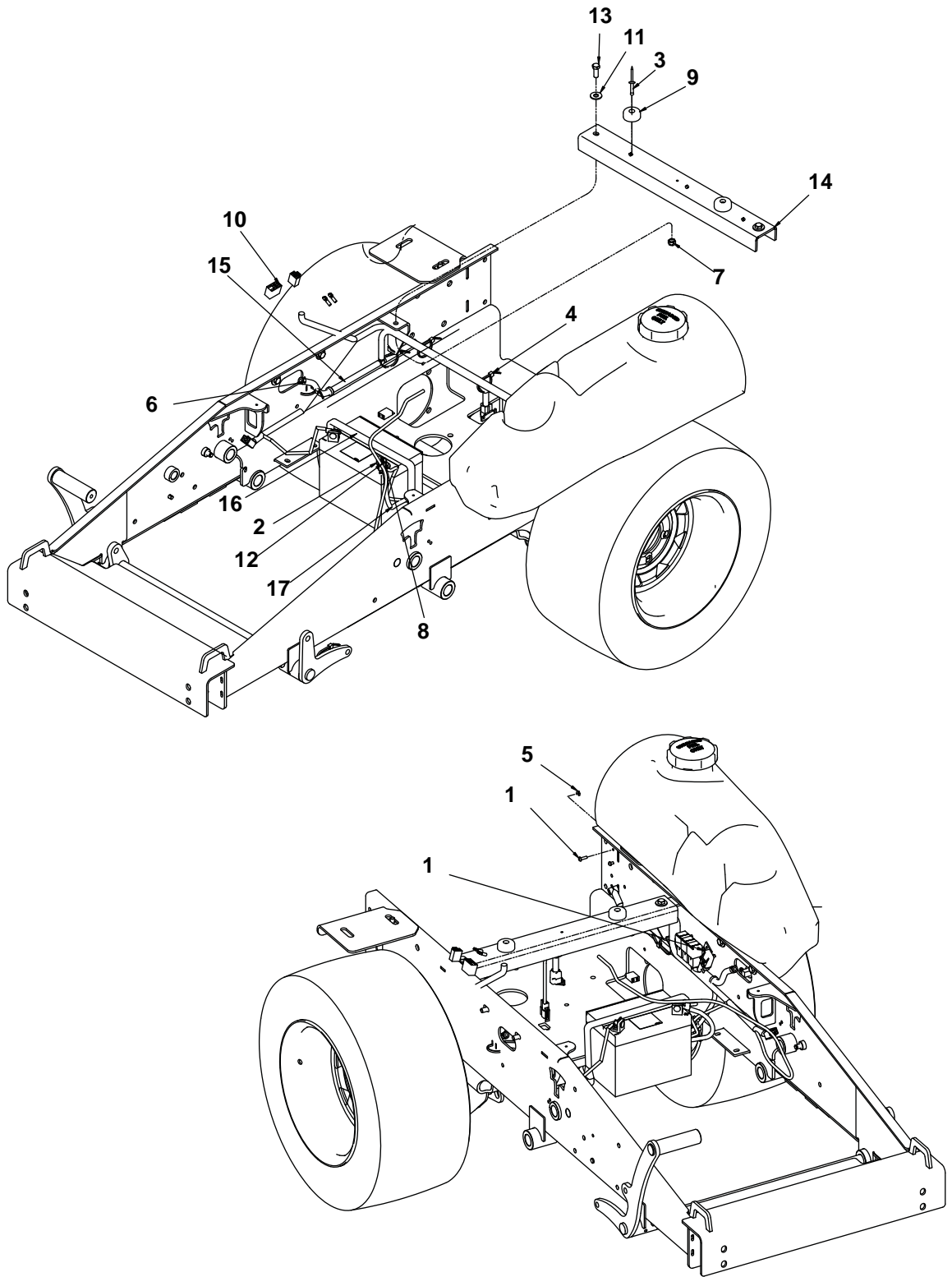
Model 991400, 402



Item	Part No.	Qty.	Description
1	00130924	3	Clamp, 1/2 Spring Hose
2	00181251	2	Fuel Cap
3	00181023	4	Spacer, Gas Tank Attachment
4	00181027	4	Spring, Compression .660 x .067 x .625
5	00181060	1	Fuel Filter
6	00191392	1	Tank, RH Midmount Blank w/Cap
7	00191391	1	Tank, LH Midmount Blank w/Cap
8	00191282	1	Assembly, Fuel Line w/Checkvalves
9	00181208	2	Grommet, Tank Fitting Rubber
10	00191605	2	Fitting, 90 Degree
11	00964505	2	Washer, .500 x 1.00 x .105 Flat
12	00960702	4	Washer, .375 REG Flat
13	00960045	4	Bolt, 3/8-16 x .750 Hex Grade 5
14	00960047	4	Bolt, 3/8-16 x 1.25 Hex Grade 5
15	00960701	4	Washer, .313 REG Flat

# BATTERY

Model 991400, 402



# BATTERY

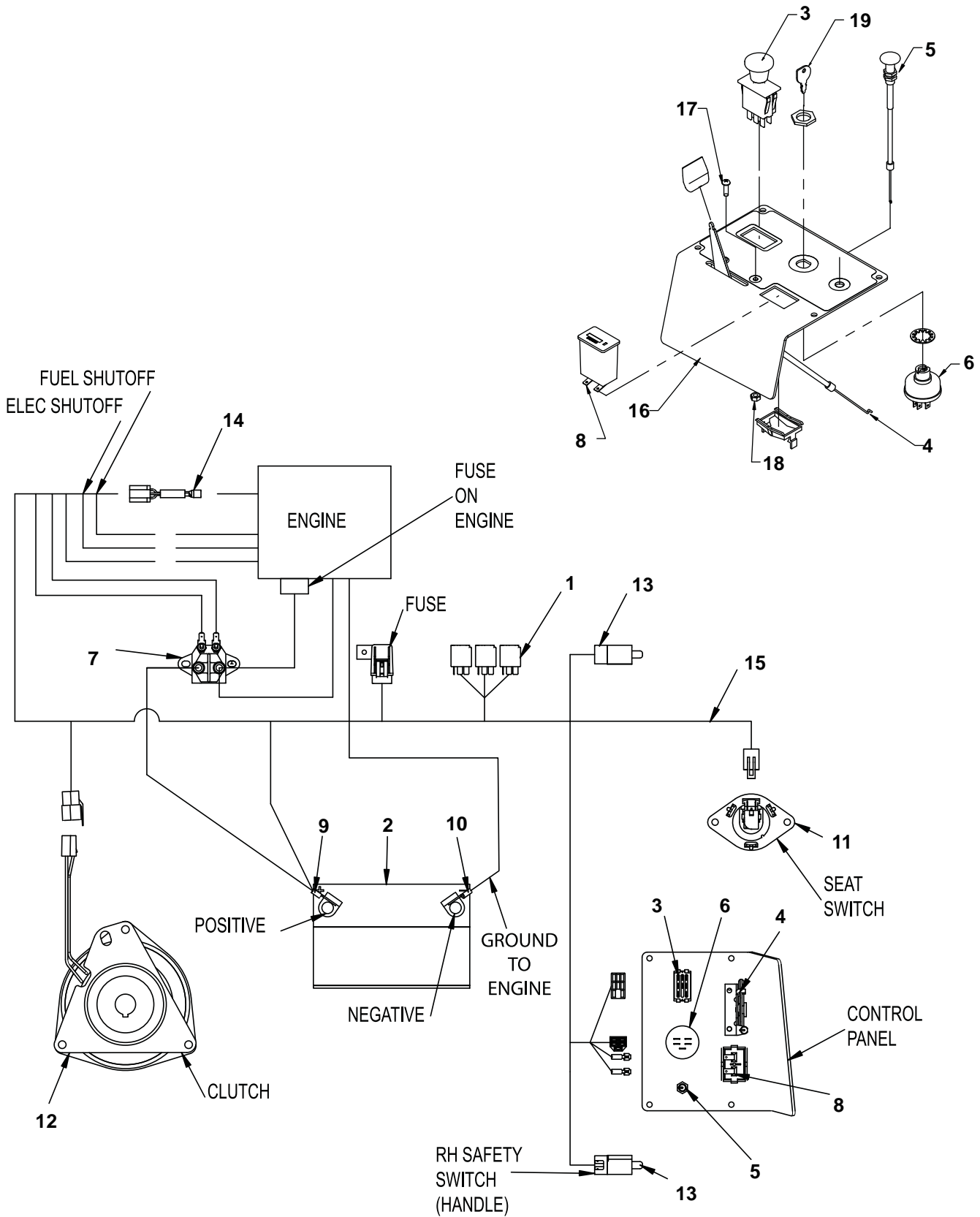
---

Model 991400, 402

Item	Part No.	Qty.	Description
1	00967340	11	Screw, 10-24 x .625 PAN PHL MAC
2	967152	2	Bolt, 5/16-18 x .750 CR G 5
3	AA968100	2	Rivet, 3/16 x .500 Pop
4	00111910	9	Cable Tie, .15 x 8.50
5	00130923	5	Nut, 10-24 KEPS
6	00130924	3	Clamp, 1/2 Spring Hose
7	00964022	2	Locknut, 3/8-16 Crown
8	960501	2	Nut, 5/16-18 Hex Grade 5
9	00180390	2	Bumper, Rubber .625 x 1.50 DIA
10	AA191200	1	Harness, Power Unit Wire
11	00960702	4	Washer, .375 REG Flat
12	AA960601	2	Washer, .313 MED Spring Lock
13	00960046	2	Bolt, 3/8-16 x 1.00 Hex 5
14	03786961	1	Plate, Top Crossmember
15	00191282	1	Assembly, Fuel Line
16	00181228	1	Band, 15" Rubber Bungee
17	00191216	1	Cabe, Battery - 35" Positive

# ELECTRICAL SYSTEM

Model 991400, 402



# ELECTRICAL SYSTEM

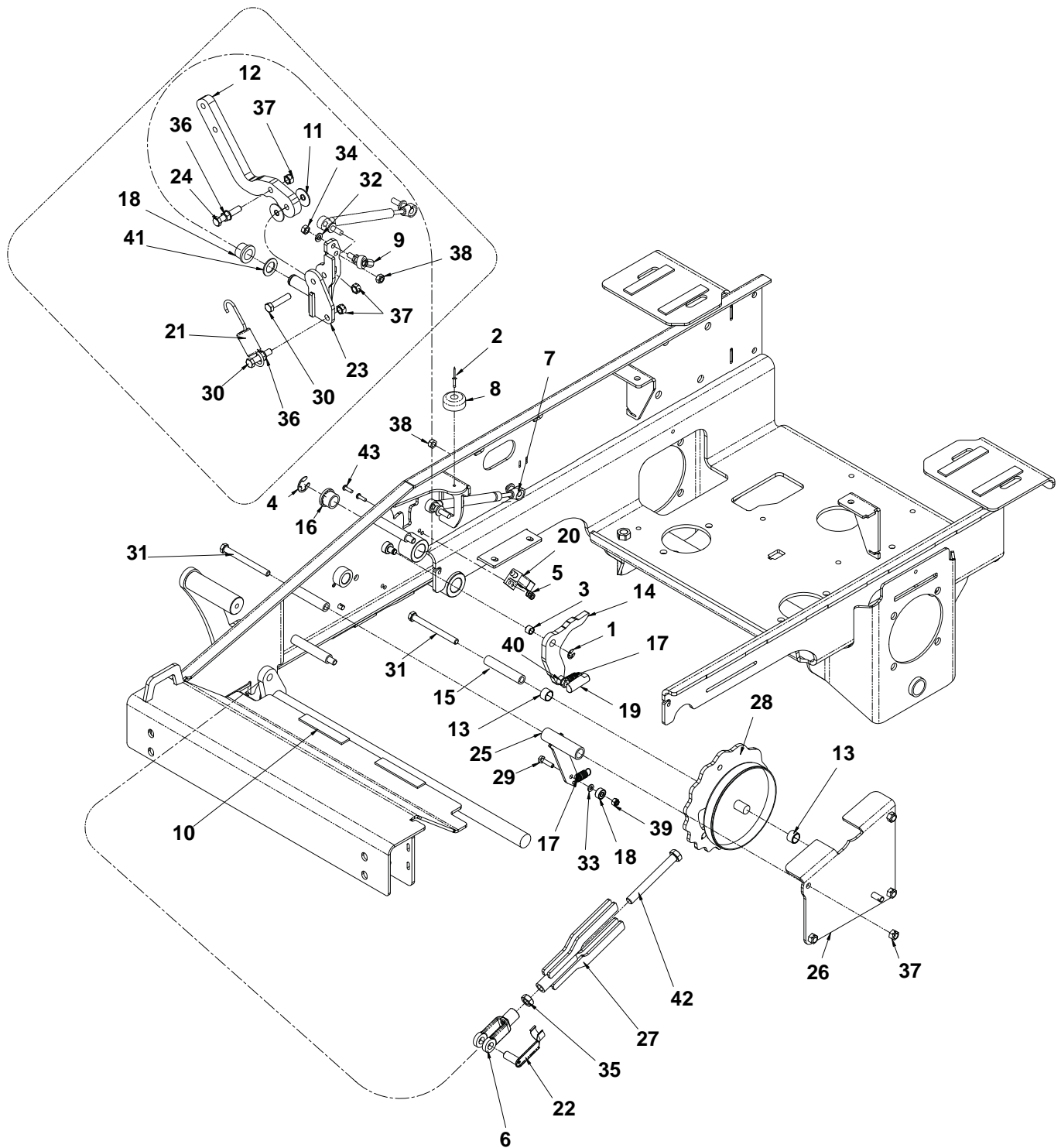
---

Model 991400, 402

Item	Part No.	Qty.	Description
1	00102770	3	Relay, ISO Mini Electric
2	00191832	1	Battery, 12V - Sealed
3	00136574	1	Switch, PTO Engagement
4	00181816	1	Cable, Throttle
5	00180273	1	Cable, Choke 48"
6	00180620	1	Switch, Key - 3 Position
7	03551000	1	Solenoid
8	00192296	1	Meter, Hour-LCD ALT
9	00180842	1	Cable, 12" Starter
10	00191227	1	Cable, Battery - 35" Ground
11	181074	1	Seat Switch S/O
12	00191109	1	Clutch, Electric - OGURA, GT2.5
13	00191256	2	Switch, Plunger DP - N.O. - N.C.
14	00288200	1	Adapter Harness, Kawasaki
15	AA191200	1	Harness, Wiring
16	00181369	1	Control Panel
17	00967340	4	Screw, Pan Head Phillips #10-24 x 5/8
18	00964028	4	Locknut, 10-24 Center
19	105684	1	Key, Ignition S/O

# MOWER DECK LIFT

Model 991400, 402



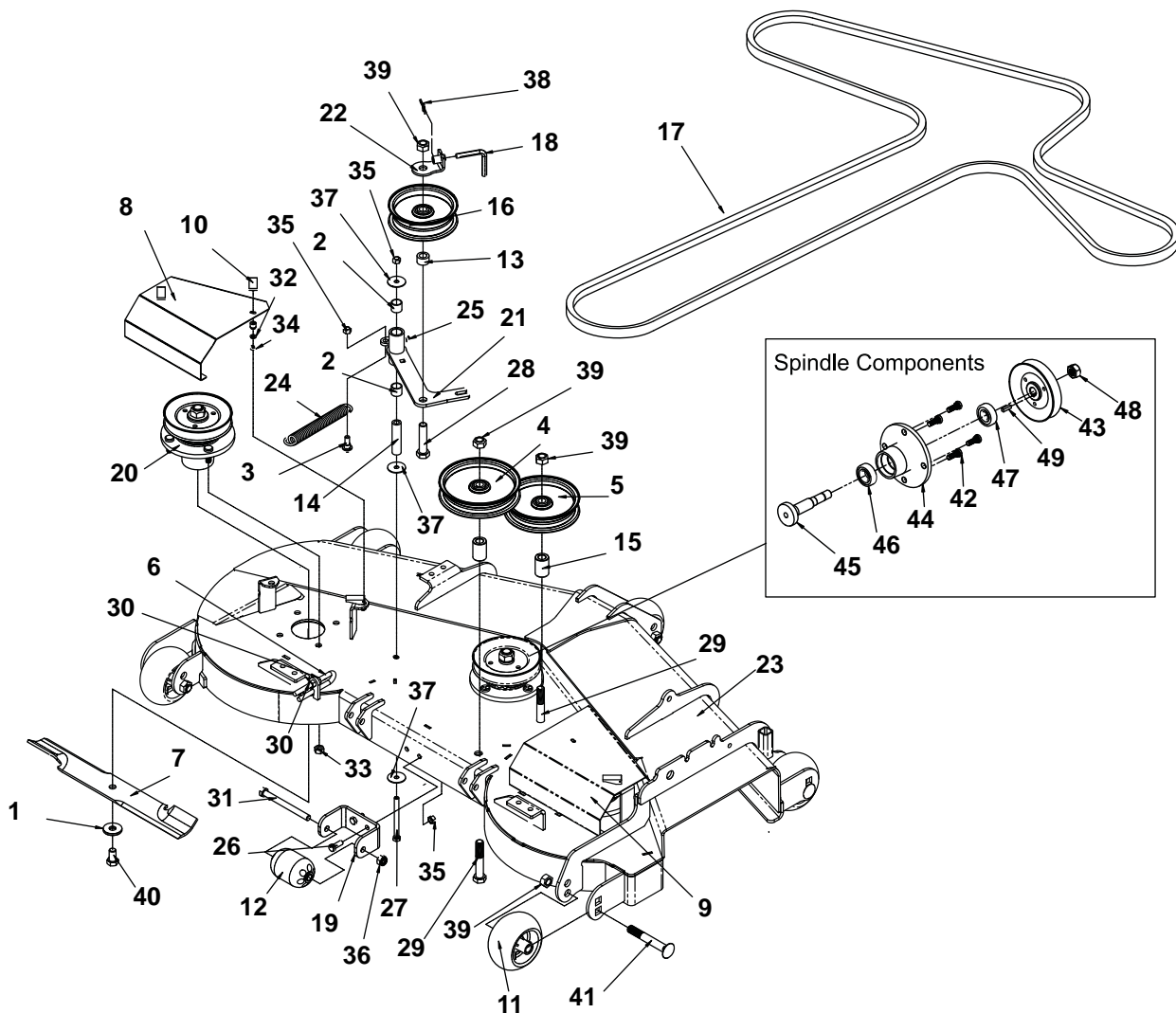
# MOWER DECK LIFT

Model 991400, 402

Item	Part No.	Qty.	Description
1	00967358	2	E-Ring, .375 x .035
2	AA968100	2	Rivet, 3/16 x .500 Pop
3	00103380	2	Bearing, Sleeve .377 x .503 x .375
4	00130886	2	E-Ring, .750 x .050
5	00130923	4	Nut, 10-24 KEPS
6	00161897	1	Yoke, Adjustable 1/2-13
7	00180231	2	Dampener, Steering Control
8	00180390	2	Bumper, Rubber .625 x 1.50 DIA
9	00180606	2	Ball Joint, RH 5/16 FMAL W/STD
10	00180897	6	Foam, .125 x .750 x 4.00
11	00180961	4	Washer, .400 x 1.27 x .062 Nylon
12	00191082	2	Plate, Steering Control
13	00191298	2	Bearing, Sleeve .627 x .752 x .500
14	00191137	2	Plate, Brake Lever
15	00191151	4	Spacer, .63 x .385 x 3.250
16	00191179	4	Bearing, Flange .750 x 1.00 x .750
17	00191183	3	Spring, Extension .500 x .041 x 1.75 SS
18	00191185	1	Bearing, Ball .250 x .688 x 313
19	00191186	2	Ball Joint, 3/8 x 24
20	00191256	2	Switch, Plunger DP - N.O. - N.C.
21	00191261	2	Spring, Extension .980 x .162 x 4.00
22	00191295	1	Pin, Clevis Spring 1/2" Yoke
23	00191510	1	Weldment, LH Steering Control
	00191513	1	Weldment, RH Steering Control
24	00967390	2	Bolt, 3/8-16 x 2.00 HEX 5 FLTD
25	00191527	1	Weldment, HOC Index Arm
26	03785461	1	Weldment, HOC Cover
27	00191532	1	Weldment, HOC Link
28	00191583	1	Weldment, HOC Cam Control 400
29	00960002	1	Bolt, 1/4-20 x 1.00 HEX 5
30	00960049	4	Bolt, 3/8-16 x 1.75 HEX 5
31	00960058	4	Bolt, 3/8-16 x 4.00 HEX 5
32	AA960601	2	Washer, .313 MED Spring Lock
33	00961701	1	Washer, M6 REG Flat
34	00964003	2	Nut, 5/16-24 STD HEX GR5
35	00964011	1	Nut, 1/2-13 Jam GR5
36	00964016	4	Lochnut, 3/8-16 Whiz
37	00964022	10	Locknut, 3/8-16 Crown
38	00964047	4	Locknut, M8-1.25 Crown
39	00964048	1	Locknut, 1/4-20 Nyloc
40	00967054	2	Nut, 3/8-24 STD HEX GR5
41	00967061	2	Bushing, MACH .750 x 1.25 x .075
42	00967189	1	Bolt, 1/2-13 x 4.50 HEX 8
43	00967340	4	Screw, 10-24 x .625 PAN PHL MAC

# MOWER DECK, BELT, AND IDLERS

Model 991400, 402





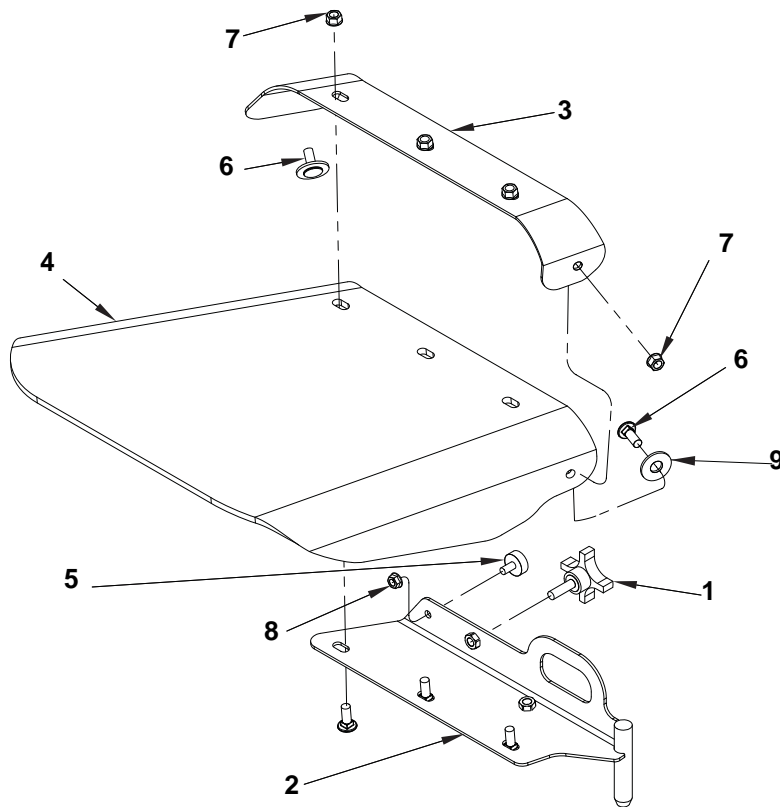
# MOWER DECK, BELT, AND IDLERS

Model 991400, 402

Item	Part No.	Qty.	Description
1	00103906	3	Washer, M14 x M40 x M4.5 FLAT
2	00105546	2	Bearing, Sleeve .753 x .878 x .750
3	00135139	3	Bolt, 1/2 x 1.06 x 3/8-16 SLD 5
4	00140280	1	Pulley, Flat 6.00 x .635 w/Bearing
5	00161955	1	Pulley, Flat 5.50 x .635 w/Bearing
6	00181194	1	U-Bolt, Round .63 x 4.50 x 3/8-16
7	00191108	3	Blade, 18.000 LO-Lift - 52" Deck (400)
	00191107	3	Blade, 16.500 LO-Lift - 48" Deck (402)
8	03848861	1	Shield, LH ZTM Belt
9	03848961	1	Shield, RH ZTM Belt
10	00191165	4	Latch, 12-24 SouthCO
11	00191201	5	Wheel, Gauge Ø5.00 x 2.75 SYM
12	00191226	1	Wheel, Gauge Ø2.56 x 3.94 SYM
13	191255	1	Bushing, .688 x 1.13 x .625
14	00191347	1	Tube, .750 x .438 x 3.047
15	00191355	2	Bushing, .688 x 1.13 x 1.68
16	00191374	1	Pulley, Flat 5.00 x .635 w/Bearing
17	00192015	1	Belt, B144K Special - 52" Deck (400)
	00191378	1	Belt, B138K Special - 48" Deck (402)
18	00191837	1	Belt Keeper, 90° w/Hole
19	00191486	1	Bracket, Anti-Scalp
20	AA191500	3	Assembly, Spindle Ball Bearing - 52" Deck (400)
	00191517	3	Assembly, Spindle Ball Bearing - 48" Deck (402)
21	00191533	1	Weldment, Deck Belt Tensioner
22	00191537	1	Weldment, Belt Keeper
23	03847600	1	Weldment, 52Z Deck (400)
	03847800	1	Weldment, 48Z Deck S/O (402)
24	00356473	1	Spring, Extension .910 x .177 x 6.15
25	00959994	1	Fitting, 1/4-28 TPR 45 Grease Zerk
26	00960046	2	Bolt, 3/8-16 x 1.00 Hex 5
27	00960058	1	Bolt, 3/8-16 x 4.00 Hex 5
28	00960160	1	Bolt, 5/8-11 x 2.75 Hex 5
29	00960163	2	Bolt, 5/8-11 x 3.50 Hex 5
30	00960502	2	Nut, 3/8-16 STD Hex GR5
31	00961343	1	Bolt, M12 x 1.75 x 130 Hex 8.8
32	00961701	4	Washer, M6 REG Flat
33	00964005	12	Nut, 7/16-20 HEX GR5
34	00964014	4	Locknut, 12-24 Nyloc
35	00964022	6	Locknut, 3/8-16 Crown
36	00964044	1	Locknut, M12 x 1.75 Nyloc
37	00964502	3	Washer, .375 x 1.50 x .063 Flat
38	00967356	1	Ring, Rue .625 x .072 x 1.690
39	00967392	8	Locknut, 5/8-11 Crown
40	00967397	3	Bolt, 9/16-12 x 1.00 Hex 8
41	00968088	5	Bolt, 5/8-11 x 4.50 CRG
42	00145561	4	Bolt, 7/16-20 x 1.22 SPC 5
43	00180780	1	Pulley, V-Belt 5.75 x .750 52" (400)
	00144579	1	Pulley, V-Belt 4.50 x .750 48" (402)
44	00191013	1	Spindle, Machined Ball Bearing
45	00191014	1	Shaft, Spindle
46	00149230	1	Bearing, Ball M25 x M52 x M15 6205
47	00103977	1	Bearing, Ball M20 x M52 x M15 6304 (402)
48	00964024	1	Locknut, 3/4-16 Crown
49	00966045	1	Key, .250 X .250 X 1.00 SQ

# DISCHARGE CHUTE

Model 991400, 402



Item	Part No.	Qty.	Description
1	03820400	1	Knob, 3/8 x 1.25-4 Prong
2	03844861	1	Weldment, Discharge Shield Bracket
3	03844961	1	Plate, Discharge Shield Support
4	03845300	1	Shield, Rubber Discharge
5	07533600	1	Bumper, Rubber
6	00963020	5	Bolt, 3/8-16 x 1.00 CRG 5
7	00964016	4	Locknut, 3/8-16 Whiz
8	00964019	1	Locknut, 5/16-18 Whiz
9	00960704	2	Washer, .500 Reg. Flat



EverRide  
An Ariens Company  
655 West Ryan Street  
Brillion, WI 54110-1072  
920-756-2141  
Fax 920-756-2407  
[www.ariens.com](http://www.ariens.com)